



21 SERIES

- Ranges from 0 psig to 1,000 psig through 0 psig to 15,000 psig
- Current and voltage outputs available
- 316 stainless steel wetted parts
- Can be cleaned-in-place (CIP) or steamed-in-place (SIP)
- Meets 3A requirements for the food and beverage, dairy, pharmaceutical and biotechnology industries
- ASME BPE compliant
- CE compliant to suppress RFI, EMI and ESD

APPLICATIONS

- High pressure processing
- Pasteurization systems
- Homogenization systems

SPECIFICATIONS

Output signals	4 mA to 20 mA 2-wire, 0 Vdc to 5 Vdc 3-wire, 1 Vdc to 5 Vdc 3-wire, 1 Vdc to 6 Vdc 3-wire, 0 Vdc to 10 Vdc, 3-wire, 1 Vdc to 11 Vdc 3-wire
Pressure ranges	0 psig to 1,000 psig through 0 psig to 15,000 psig
Accuracy	±0.25% full scale (BFSL); ±0.125% full scale (optional)
Stability	≤ ±0.2% full scale for 1 year, non-accumulating
Adjustment	±10% full scale for zero and span
Response time	≤ 1 ms (between 10% and 90% full scale)
Pressure cycle limit	150 Hz
Durability	> 100,000,000 full scale cycles
Temperature ranges	Compensated 32 °F to 176 °F (0 °C to 80 °C) Effect ±0.017% full scale/ °F for zero and span Media -22 °F to 212 °F (-30 °C to 100 °C) Ambient -40 °F to 185 °F (-40 °C to 85 °C) Storage -40 °F to 212 °F (-40 °C to 100 °C)
Power requirement*	10 Vdc to 30 Vdc (4 mA to 20 mA, 2-wire, 0 Vdc to 5 Vdc, 3-wire, 1 Vdc to 5 Vdc, 3-wire, 1 Vdc to 6 Vdc, 3-wire) 14 Vdc to 30 Vdc (0 Vdc to 10 Vdc, 3-wire, 1 Vdc to 11 Vdc, 3-wire)
Load limitations	≤ (Vpower supply -10)/0.020 Amp
Proof pressure	1.75 times full scale for 0 psig to 300 psig through 0 psig to 10,000 psig 1.5 times full scale for 0 psig to 15,000 psig
Burst pressure	4 times full scale for 0 psig to 300 psig through 0 psig to 10,000 psig 3 times full scale for 0 psig to 15,000 psig
Measuring element	316 stainless steel for vacuum through 300 psi; 17-4PH stainless steel for ≥500 psi
Connection	316 stainless steel
Housing material	316 stainless steel
Environmental rating	IP65
Electromagnetic rating	CE compliant to EMC norm EN 61326:1997/A1:1998 RFI, EMI and ESD protection
Electrical protection	Reverse polarity, over-voltage and short circuit protection
Shock	1000 g's according to IEC 60068-2-27
Vibration	30 g's according to IEC 60068-2-6
Weight	Approximately 3.5 oz.

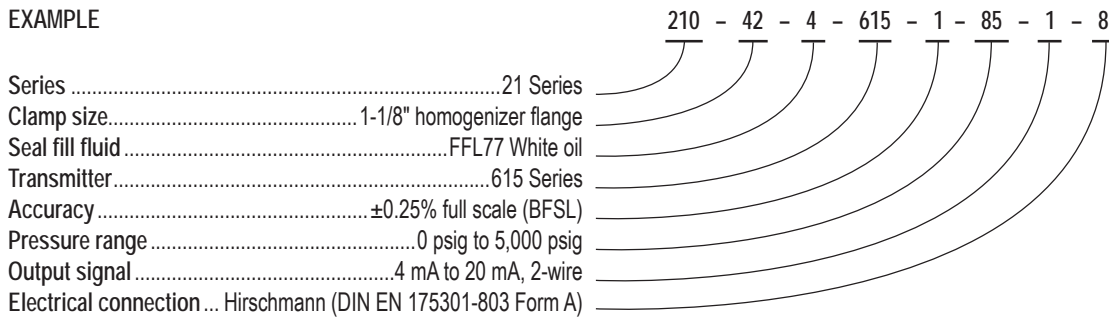
* Unregulated

Diaphragm seal must be installed facing downward or in a vertical position for drainability. Do not install diaphragm seal facing in an upward position.

ORDERING INFORMATION				
SERIES	210			
CLAMP SIZE	42 1-1/8" flange			
SEAL FILL FLUID	4 FFL77 White oil (Other fill fluids available — please consult factory)			
TRANSDUCER	615 615 Series transducer			
ACCURACIES	1 ±0.25% full scale (BFSL)	2 ±0.125% full scale (BFSL)		
PRESSURE RANGES	73 0 psig to 1,000 psig	79 0 psig to 2,000 psig	85 0 psig to 5,000 psig	91 0 psig to 10,000 psig
	76 0 psig to 1,500 psig	82 0 psig to 3,000 psig	88 0 psig to 6,000 psig	94 0 psig to 15,000 psig
OUTPUT SIGNALS	1 4 mA to 20 mA, 2-wire	3 1 Vdc to 5 Vdc, 3-wire	5 0 Vdc to 10 Vdc, 3-wire	
	2 0 Vdc to 5 Vdc, 3-wire	4 1 Vdc to 6 Vdc, 3-wire	6 1 Vdc to 11 Vdc, 3-wire	
ELECTRICAL CONNECTIONS	1 36" Cable attached to Hirschmann	14 Hirschmann connection with ISO 4400 1/2" NPT conduit		
	3 6-pin Bendix	25 M12 X 1 (4-pin)		
	8 Hirschmann (DIN EN 175301-803 Form A)	36 Integral 36" cable		

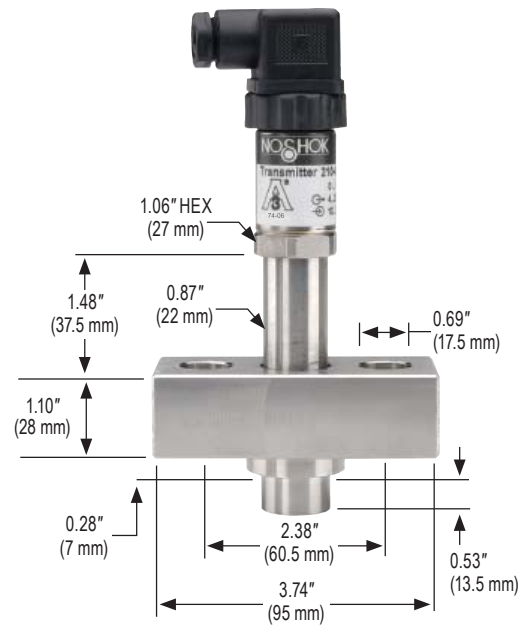
Please consult your local NOSHOK Distributor or NOSHOK, Inc. for availability and delivery information.

EXAMPLE



2-WIRE WIRING

	Hirschmann	Cable	M12	Bendix
+ Supply	1	Red	1	A
+ Output	2	Black	3	B



3-WIRE WIRING

	Hirschmann	Cable	M12	Bendix
+ Supply	1	Red	1	A
Common	2	Black	3	B
+ Output	3	White	4	C

(Custom flange dimensions to your specification — please consult factory)